

TAXIWAY / APRON

IL 258

8''

Inset Light – Low and Medium Intensity – Omnidirectional



General

The lights of the series IL 258 meet the guidelines of ICAO Annex 14 as well as Part 4 of the Aerodrome Design Manual and are in compliance with IEC 61827. They are suitable as edge lights on runways, taxiways and aprons as well as for maneuvering guidance on aircraft stands and heliports.

IL 258-TEL

Taxiway Edge
low intensity

IL 258-AGM

Apron
medium intensity

Features

- main applications:
 - REM runway edge medium intensive
 - TEL taxiway and apron edge
 - AGM apron maneuvering guidance
 - HPM heliport marking
- low energy consumption
- very sturdy aluminium housings of long term tightness (IP68)
- elevation above ground 5 mm
- little elevation assures optimal glass protection
- prefocussed halogen lamp, socket PK30d, rating 6.6A, life expectancy 5'000 hrs using mixed intensity steps (at rated current: 1'000 hrs nom.)
- absorption colour filters
- no optical adjustments needed after maintenance operations
- vulcanised plug, cable length 30 cm

Light characteristics and performance

Ordering colour code and light transmittance

For the light IL 258 mass coloured filters have to be used.

Outlet grade is:

□ w = white	100%
■ b = blue	2%
■ g = green	20%
■ y = yellow	50%
■ r = red	18%

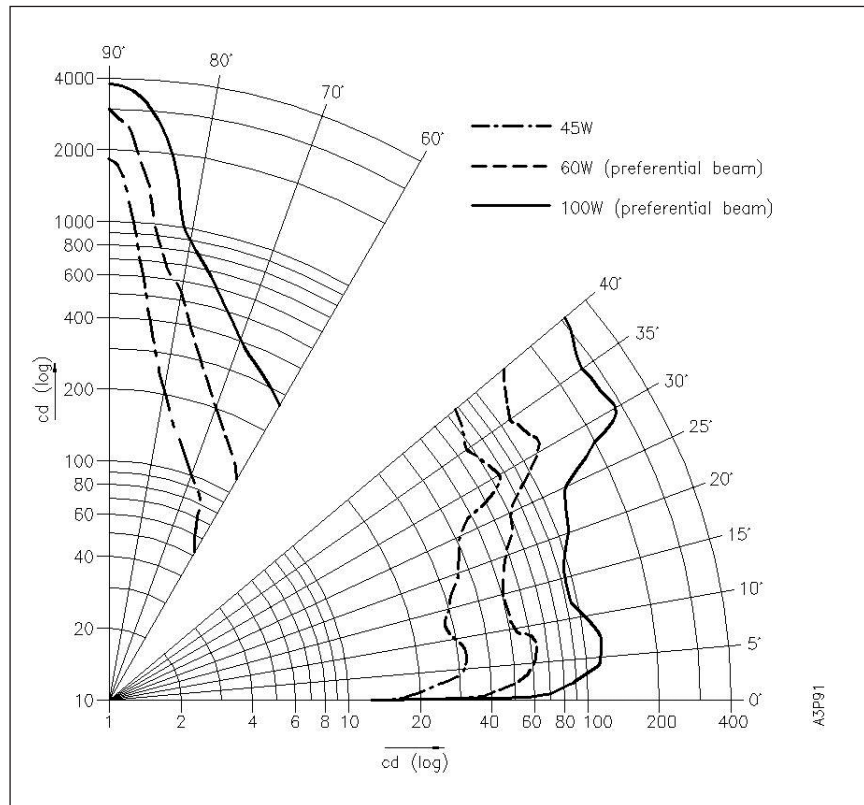
Nominal value

The typical nominal value is valid for the white light.

Edge Lights IL 258-TEL

Remark: with reduction of the housing protection ring to 0 mm, the light intensity can be raised between 0° ÷ 8°

Isocandela diagram

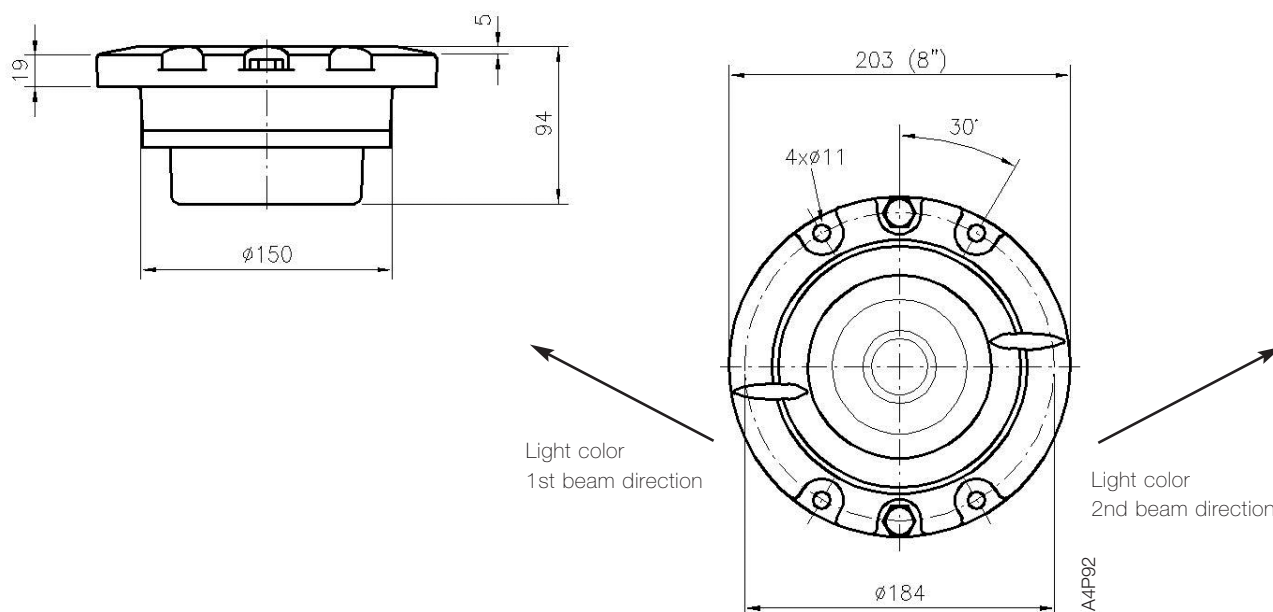


Verticalcut with omnidirectional characteristic

Dimensions/Weights

The lamp housings of the series IL 258 fit into 8" substructures or by using a 12"/8" adapter ring in any substructure according to FAA AC 150/5345-42C, size L-868 B (12").

Article	Weight	Packing (cardboard box)
IL 258	3,3 kg	203 x 203 x 107 mm



Options

- 45W, 65W or 100W PK30d halogen lamps
- various colour filters
- lamp fixing perforations according to customers request
- customized dimensions and other options upon request

Accessories

Accessories must be ordered separately. For details see also section «mounting systems». Substructures and series transformers to be ordered separately.

Subject to change

ERNI Licht-Technik AG, Stationsstrasse 31, CH-8306 Brüttisellen, Switzerland
Phone +41 (0)44 835 33 43, Fax +41 (0)44 835 33 42

info@erniairlight.com



www.erniairlight.com